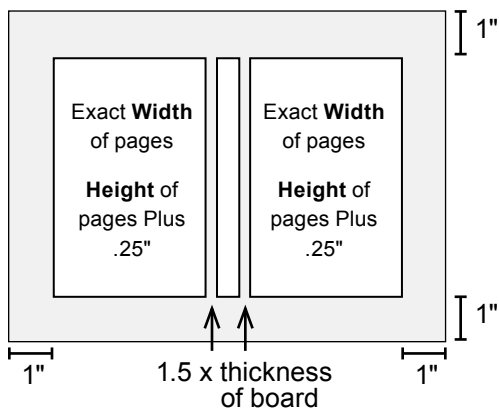


Hard Book Cover

SUPPLIES

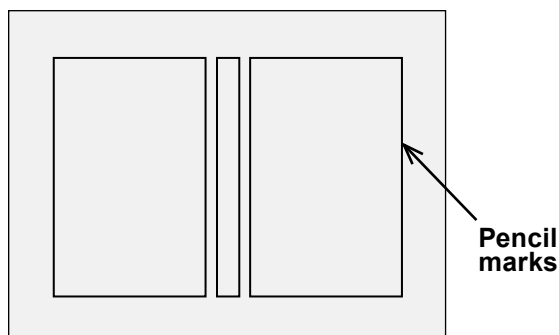
Book board
Book cloth
PVA Glue (pH-balanced)
Large brush
Bone Folder
X-acto blade
Wax Paper
Pencil (white for dark cloth)

1. To make a Hard Cover, you will need to cut the book board according to these dimensions:
Width: Exact width of your trimmed pages.
Height: Height of your trimmed pages *PLUS* .25".
Spine Width: Stack your two book board covers on top of the pages (like a sandwich). Push down on the boards and measure the thickness of all the covers and pages combined, this is your spine width. Measure well, but don't make it too small.
Spine Height: Same as Cover height.

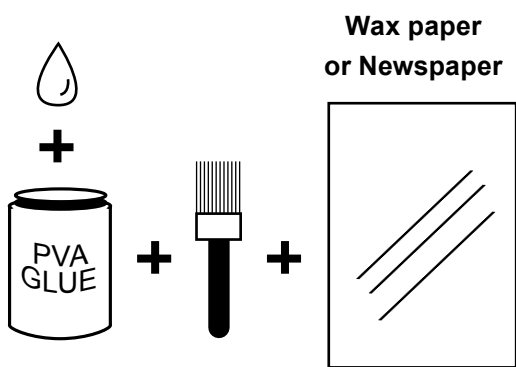


2. Once your book board is cut, you will need to cut your book cloth. Cut your book cloth according to these dimensions:
Height: Height of Book Cover (board) *PLUS* 2".
Width: Width of Book Cover (board) *PLUS* Spine Width *PLUS* 2.5".
3. Using a pencil, measure the sizes on the book cloth for guides when you're gluing. If you're using dark book cloth, you'll need a white pencil.

The spine needs to be a minimum of 1.5 x the thickness of the board (from the book cover) on each side, otherwise it will not open correctly.



Hard Book Cover



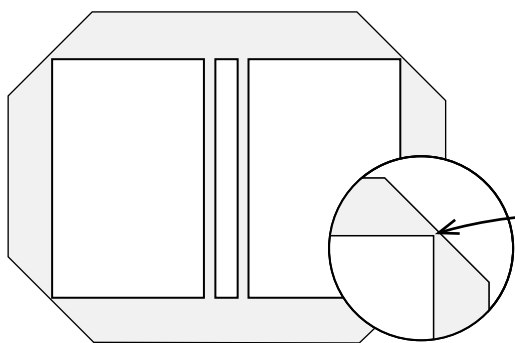
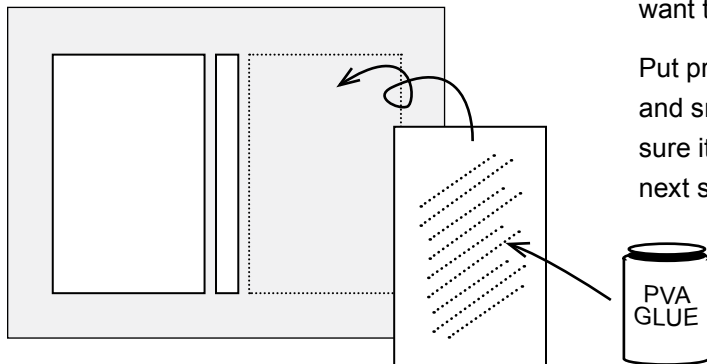
- Once your boards are cut, you are ready to glue them together. Get your glue ready by pouring some (at least a 1/2 cup) into a container. Add a little water to glue to get the consistency of whipping cream.

Beware: Too much water dries too quick and too much glue oozes out and gets messy.

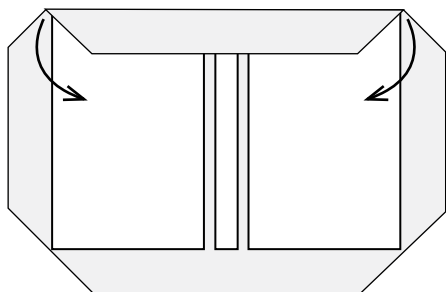
Prepare: You'll need to glue quickly, so have all supplies ready, such as bone folder, glue, extra wax paper, and paper towels (for drips).

When your glue is prepared, lay down a layer of wax paper/ or newspaper underneath your book cloth. Glue boards down by applying glue with a large brush to the board directly. You want the glue to be tacky, but not too wet.

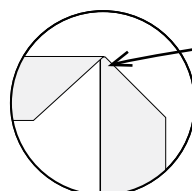
Put pressure on the boards to make sure it adheres. Flip it over and smooth out the cloth over the board on the other side. Make sure it opens correctly (with the pages inside) before you go to next step.



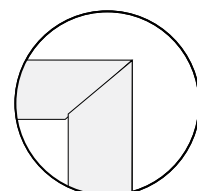
- Cut corners off of the book cloth at 45 degree angles. You don't want to cut the corner right up to the edge of the book board pencil line. You'll want to allow a "buffer" about the same thickness of the book board you used.



- Fold over the edges, one at a time. You can "tuck-in" the excess corner book cloth material to make sure you don't expose any of the board underneath.



Tuck-in excess material by pressing down with your bone folder (or fingernail).

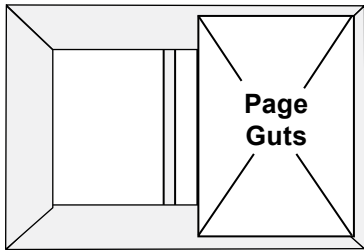


Hard Book Cover



7. Wipe up any glue that has leaked out. Sandwich board between two layers of wax paper and weigh with books and let sit overnight.

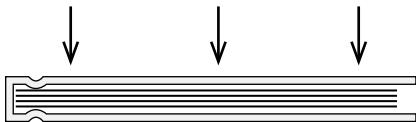
Once the cover has dried under weight (overnight), you are ready to attach your pages.



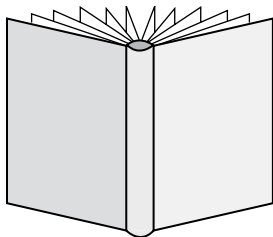
8. Insert page (guts) into hard book cover. **The spine of the guts should be shoved to back of the inside spine of the hard book cover.** This will give you an even .25" margin on the top, right and bottom of pages.

DON'T put weight on spine!

Apply Weight on other part and let dry for at least 4 hours.



9. Place page guts exactly where you want them to be and carefully (without shifting the placement) open the first page of your guts and insert a sheet of wax. The wax paper will keep the glue from getting on the other pages and book cover. Apply glue on back of page and slowly lower hard cover onto page and press down. Leave wax paper in, if there were a lot of glue drips on it, carefully replace it. Now flip book over and repeat for the back.



10. Put closed book on a hard surface and weigh it down with heavy books again, let dry for a minimum of four hours.

You should now be able to open the book and have the spread open all the way.

If for some reason your end pages are ripping or pulling too much at your pages, you can salvage the majority of the pages by carefully cutting out the end pages (from being attached to the cover) and starting over again by attaching new end sheets to the rest of the pages.